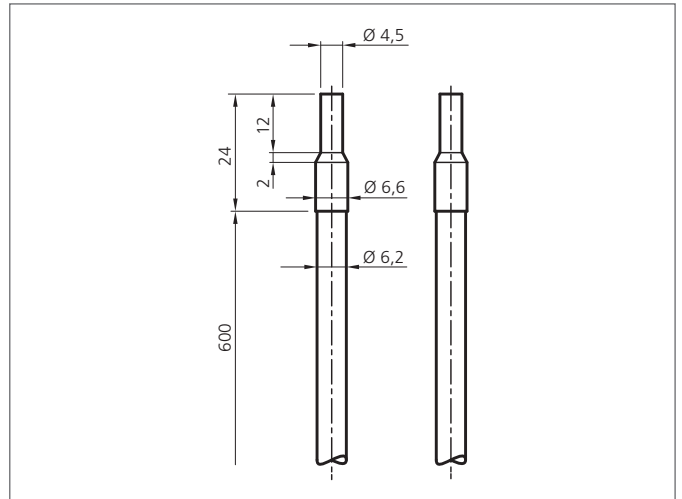
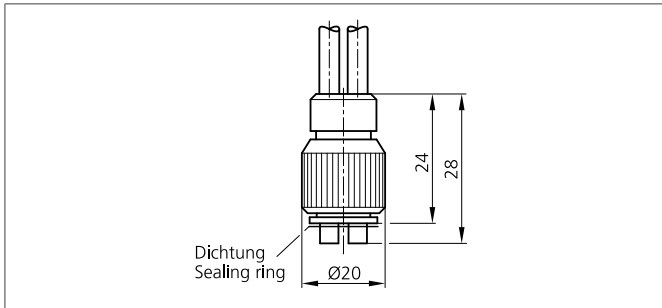
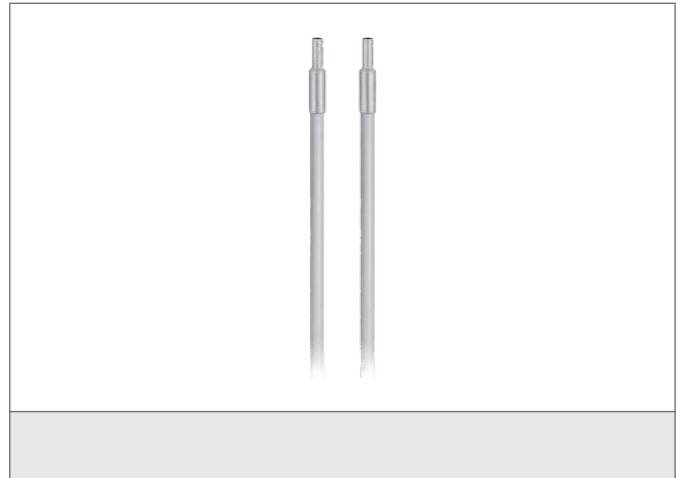


WRB 220 S-4.5-2.5

Glass fiber optic

- High-quality glass fibres
- Resistant to high temperature
- Robust, highly flexible



Safety instructions

The Instruments are not to be used for safety applications, in particular applications in which safety of persons depends on proper operation of the instruments.
These instruments shall exclusively be used by qualified personnel.

| TECHNICAL INFORMATION (typ.) | +20°C, 24V DC |
|------------------------------|---|
| Operating principle | Through beam sensor |
| Length | 600 mm |
| Opening angle | 67° |
| Light outlet | axial |
| Bending radius | $\geq 3 \times \text{tube-}\varnothing$ |
| Temperature resistance | -40 ... + 180 °C (short-term up to +250 °C) |
| Protection class | IP 67 |
| For | Colour Sensors |
| Material | Silicone-metal sleeve (Cladding) |
| | |
| | |
| | |
| | |
| | |
| | |
| | |
| | |
| | |
| | |
| | |
| | |
| | |
| | |
| | |